

03

LINEAR ACTUATORS WITH INTEGRATED REDUCTION AND CUBIC GEARBOX

FM Series: Steel tube

AM Series: Aluminum tube



**DISTRIBUIDOR
AUTORIZADO**

MEX (55) 53 63 23 31
QRO (442) 1 95 72 60

MTY (81) 83 54 10 18
ventas@industrialmagza.com



**DISTRIBUIDOR
AUTORIZADO**

MEX (55) 53 63 23 31
QRO (442) 1 95 72 60

MTY (81) 83 54 10 18
ventas@industrialmagza.com



DISTRIBUIDOR
AUTORIZADO

MEX (55) 53 63 23 31
QRO (442) 1 95 72 60

MTY (81) 83 54 10 18
ventas@industrialmagza.com

“SUSTAINABILITY IS INDUSTRIALISED ECOLOGY.”

DAVID GARCÍA
HOME-THERME

NIASA ACTUATORS IN THE TONOPAH THERMO-SOLAR PLANT, NEVADA, USA.

© Solar Reserve





DISTRIBUIDOR
AUTORIZADO

MEX (55) 53 63 23 31
QRO (442) 1 95 72 60

MTY (81) 83 54 10 18
ventas@industrialmagza.com



LINEAR ACTUATORS

WITH INTEGRATED REDUCTION AND CUBIC GEARBOX. FM SERIES: STEEL TUBE | AM SERIES: ALUMINUM TUBE

INTRODUCTION

NIASA FM/AM Series electro-mechanical actuators combine the sleeve and stem system of the F/A Series linear actuators with the gearbox of the screw jacks, thus obtaining the most interesting features of both types of product.

This way, the FM/AM Series electro-mechanical actuators become the optimal technical solution for applications that require the movement specifications of a screw jack, with the additional advantage of being able to work under the most demanding environmental conditions.

Their main advantages against other systems, such as pneumatic or hydraulic cylinders, are the following:

- ... Greater movement and positioning precision.
- ... Greater safety, due to its irreversibility in many configurations (ask NIASA) and/or the incorporation of different braking devices.
- ... Superior energy efficiency, as their parts offer high/very high performance, especially with the ball screws, low transmission ratios and high speeds.
- ... Easier and faster assembly, since hydraulic or pneumatic groups are not required, just an electric motor on the unit itself.
- ... Greater reliability and duration, and less maintenance, due to the mechanical robustness and construction simplicity.
- ... Modular design and the possibility to operate in multiple positions.
- ... Easier to obtain synchronized advance movements of several actuators, including under different loads.
- ... Lower size for the same load capacity.
-

The screw supports also characterized for offering an extensive range of:

- ... Axial load capacities, from 5 kN up to 250 kN.
- ... Advance speeds; depending on the screw pitch and the gearbox, two possible reductions are offered depending on the size of the actuator, from 4:1 to 40:1.
- ... Trapezoidal and ball screws, depending on the performance required, precision of movement and positioning, etc.
- ... Fastening accessories and elements, for optimal adaptation to the most varied systems that may be designed.
- ... Control and safety systems (mechanical/inductive limit switches, absolute/incremental encoders, etc.).
- ... Materials and surface coverings, depending on the environmental conditions in which the unit will be installed.
- ... Two types of external sleeve for the stem:
 - Steel round tube.
 - Aluminum extrusion profile (magnetic sensors, anti-rotation system).
-

Please do not hesitate to contact NIASA if you require FM/AM actuators (and their drive mechanisms) with specifications other than those covered in this chapter. The NIASA technical department will specifically develop the special units that best meet your requirements.



DISTRIBUIDOR
AUTORIZADO

MEX (55) 53 63 23 31
QRO (442) 1 95 72 60

MTY (81) 83 54 10 18
ventas@industrialmagza.com



LINEAR ACTUATORS

WITH INTEGRATED REDUCTION AND CUBIC GEARBOX. FM SERIES: STEEL TUBE | AM SERIES: ALUMINUM TUBE

APPLICATIONS

PRESS TYPE SYSTEM

Three FM3 Series actuators made up of a three-phase motor drive system, MK Series drive union flange, with MK Series drive, transmission between equipment using MK series coupling, BP Series fastening flanges on the stem and PR Series protector on the worm shaft.

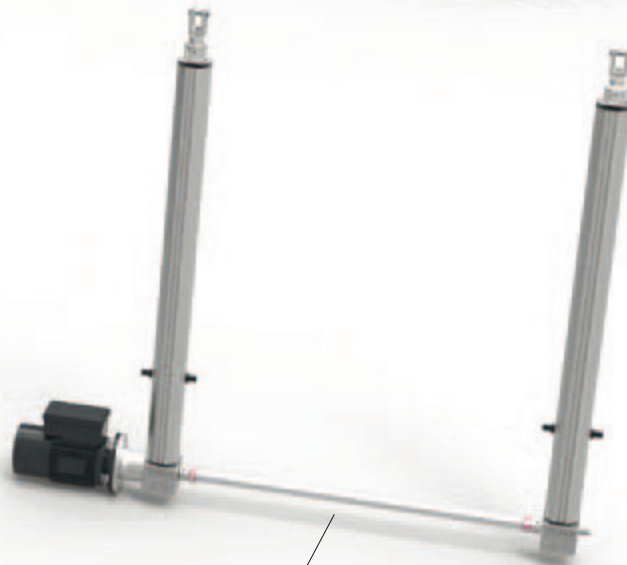


THREE SHAFT SCREW JACK SYSTEM

Three FM3 series actuators made up of a double-shaft, three-phase drive system, transmission between units with EZ series joint shafts, FCI series inductive sensor with a position encoding system underneath the gearbox, bevel gearbox with encoder adapted and GIR series ball with joint fastening on the stem.

CONVEYOR BELT ELEVATION SYSTEM

Two FJ1 Series actuators made up of a three-phase drive system with brake, MK Series drive union flange, transmission between units with EZ Series joint shafts, support structure with protection for the transmission shaft, GIR series ball joint on the stem and HFM Series gearbox fastening.



ELEVATION SYSTEM WITH INTEGRATED MAGNETIC SENSOR.

Two AM2 Series actuators made up of a three-phase motor drive system, drive union flange, transmission between units with EZ Series joint shafts, exterior aluminum tube with anti-turning system and an FCG Series integrated magnetic sensor, tilt fastening on the BA Series tube, GKB Series ball joint fastening on the stem.

LINEAR ACTUATORS

WITH INTEGRATED REDUCTION AND CUBIC GEARBOX. FM SERIES: STEEL TUBE | AM SERIES: ALUMINUM TUBE

SIZES

There are trapezoidal and ball screw options on all the sizes (see chapter on screws for further information), as well as normal speed (S) and slow speed (H) gearboxes.

	M1 5 kN	M2 10 kN	M3 25 kN
F Steel exterior tube	 page 122	 page 123	 page 124
A Aluminum exterior tube With anti-rotation on the stem (optional) With magnetic sensor integrated on the aluminum tube (optional)	 page 122	 page 123	 page 124

In addition to the standard range of linear actuators, NIASA can specifically develop the unit that best meets your application requirements. Contact NIASA.

IMPORTANT All the technical data included in this chapter correspond to the configuration with steel tube and to the aluminum tube configuration.

For further information about the latter, please contact the NIASA technical department.



DISTRIBUIDOR
AUTORIZADO

MEX (55) 53 63 23 31
QRO (442) 1 95 72 60

MTY (81) 83 54 10 18
ventas@industrialmagza.com



M4
50 kN



page 125

M5
100 kN



page 126

J1
150 kN



page 127

J3
250 kN



page 128



page 125

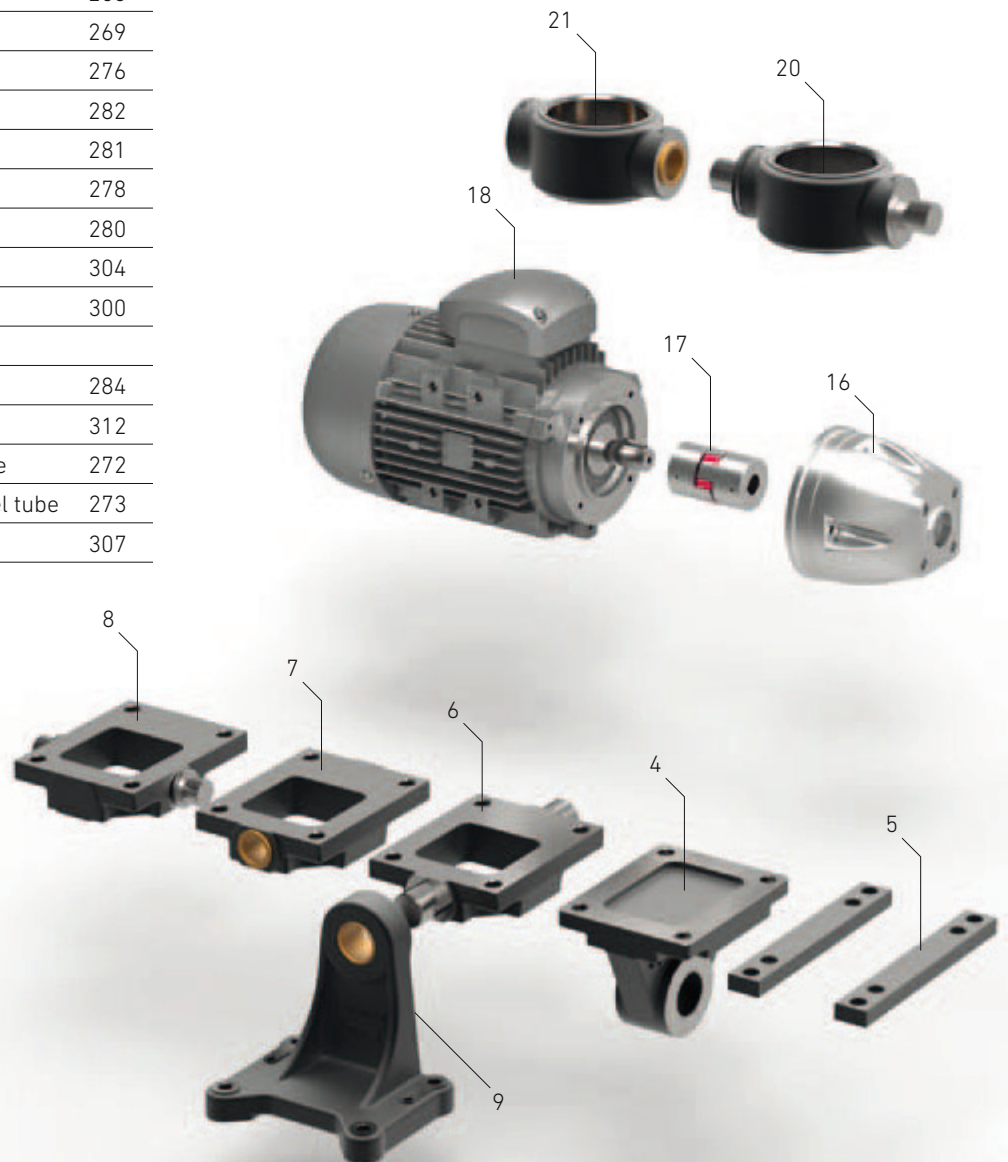
LINEAR ACTUATORS

WITH INTEGRATED REDUCTION AND CUBIC GEARBOX. FM SERIES: STEEL TUBE | AM SERIES: ALUMINUM TUBE

GENERAL PRODUCT OVERVIEW

Name	Page
01 M SERIES GEARBOX	118
02 Screw + Trapezoidal nut + Stem	122
03 Screw + Ball nut + Stem	122
04 HFM ball joint	270
05 LCM mounting feet	266
06 Flange with ZKM bolts	267
07 Flanges with ZKH bearings	268
08 Flange with ZKV 90° bolts	269
09 SB tilt supports	276
10 GIR clevis rod	282
11 GKB double clevis rod	281
12 BPS flange	278
13 GKS single clevis rod	280
14 PR worm gear protector	304
15 Wheel with VE grip	300
16 Motor flange	
17 EK coupling	284
18 Motorization	312
20 BB flanges with bolts for steel tube	272
21 Flanges with bearings for BH steel tube	273
22 FCI inductive limit switch	307

24 BA flanges with bearings for aluminum tube	274
25 FCG magnetic limit switch	308
26 Connection sensor input adapter	308
27 Position sensor magnet	308
28 Anti-rotation system	

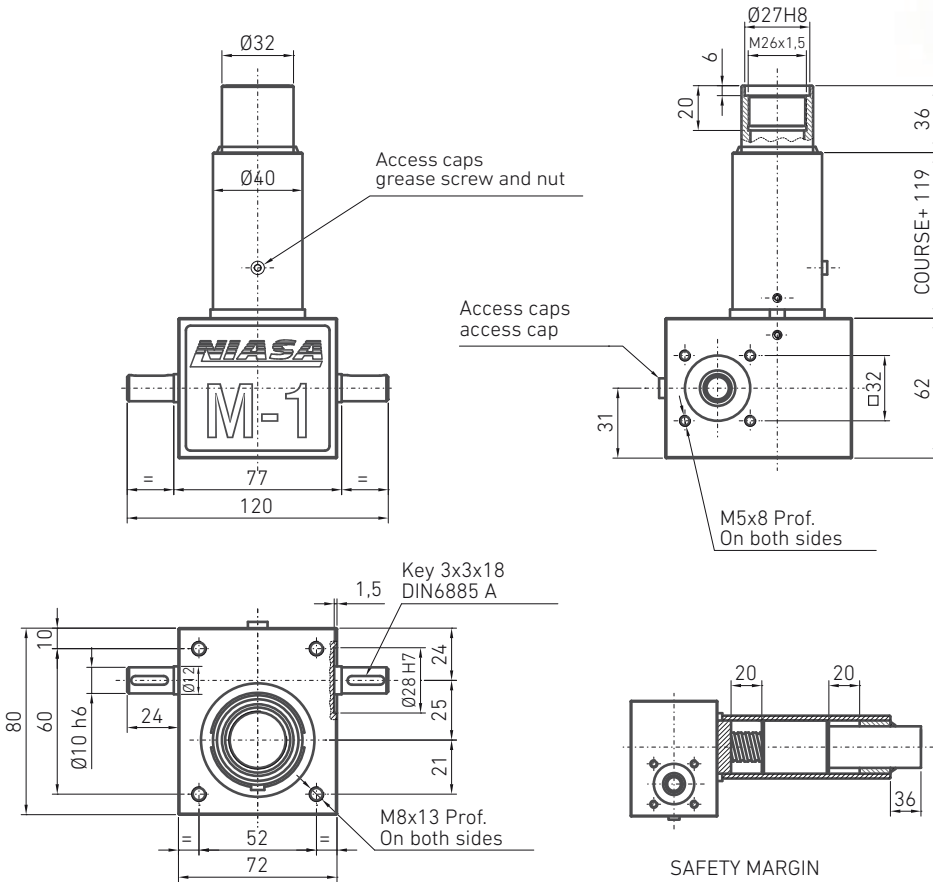
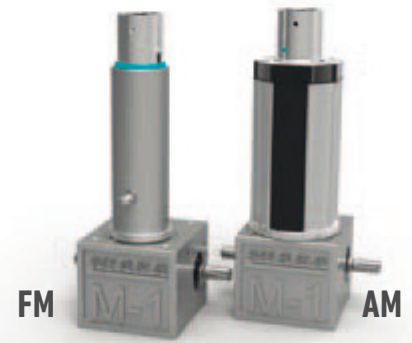




FM1/AM1 LINEAR ACTUATOR

UP TO

5 kN



Diameter and step screw (mm)	Maximum axial strength (kN)	Reduction		Advance (mm/revol. input)		Performance (%)		Drive torque, M_D (Nm)		Start-up torque, M_0 (Nm)		Weight stroke 0 (kg)	Approx. weight each 100 mm of stroke (kg)
		S	H	S	H	S	H	F (kN), load to move in dynamic		S	H		
								S	H	S	H		
Tr 16x4	5	4:1	16:1	1.00	0.25	35	27	$(0,46 \times F) + 0,17$	$(0,15 \times F) + 0,08$	$0,80 \times F$	$0,34 \times F$	1.8	0.5
KGS 1605	5	4:1	16:1	1.25	0.31	71	56	$(0,28 \times F) + 0,14$	$(0,09 \times F) + 0,08$	$0,39 \times F$	$0,16 \times F$	1.8	0.5

... Power required: P_D (kW) = $0,157 \times M_0$ (Nm).

... All the data in the table correspond to an input speed of 1,500 rpm. For other speeds, please see the calculation chapter (page 130).

Ensure that the application's dynamic load does not exceed the critical values indicated, in order to avoid overheating of the unit and buckling and resonance. See calculations chapter (page 130).



FM2/AM2 LINEAR ACTUATOR

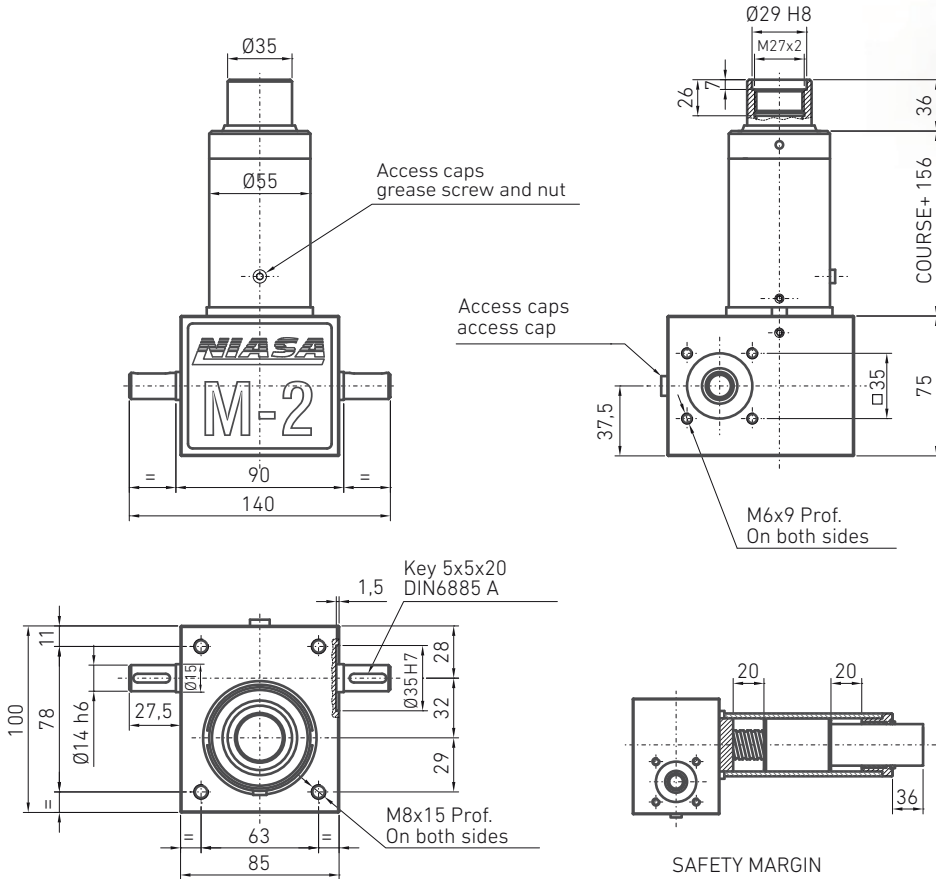
UP TO

10 kN



FM

AM



Diameter and step screw (mm)	Maximum axial strength (kN)	Reduction		Advance (mm/revol. input)		Performance (%)		Drive torque M_D (Nm)		Start-up torque, M_0 (Nm)		Weight stroke 0 (kg)	Approx. weight each 100 mm of stroke (kg)
								F (kN), load to move in dynamic					
		S	H	S	H	S	H	S	H	S	H		
Tr 24x5	10	4:1	16:1	1.25	0.31	0.31	0.25	$(0.64xF)+0.35$	$(0.20xF)+0.17$	$1.11xF$	$0.43xF$	4.6	1
KGS 2005	10	4:1	16:1	1.25	0.31	0.72	0.58	$(0.28xF)+0.33$	$(0.09xF)+0.17$	$0.39xF$	$0.15xF$	4.6	1
KGS 2020	7.5	4:1	16:1	5.00	1.25	0.72	0.58	$(1.10xF)+0.33$	$(0.35xF)+0.17$	$1.55xF$	$0.6xF$	4.6	1

... Power required: P_D (kW) = $0,157 \times M_D$ (Nm).

... All the data in the table correspond to an input speed of 1,500 rpm. For other speeds, please see the calculation chapter (page 130).

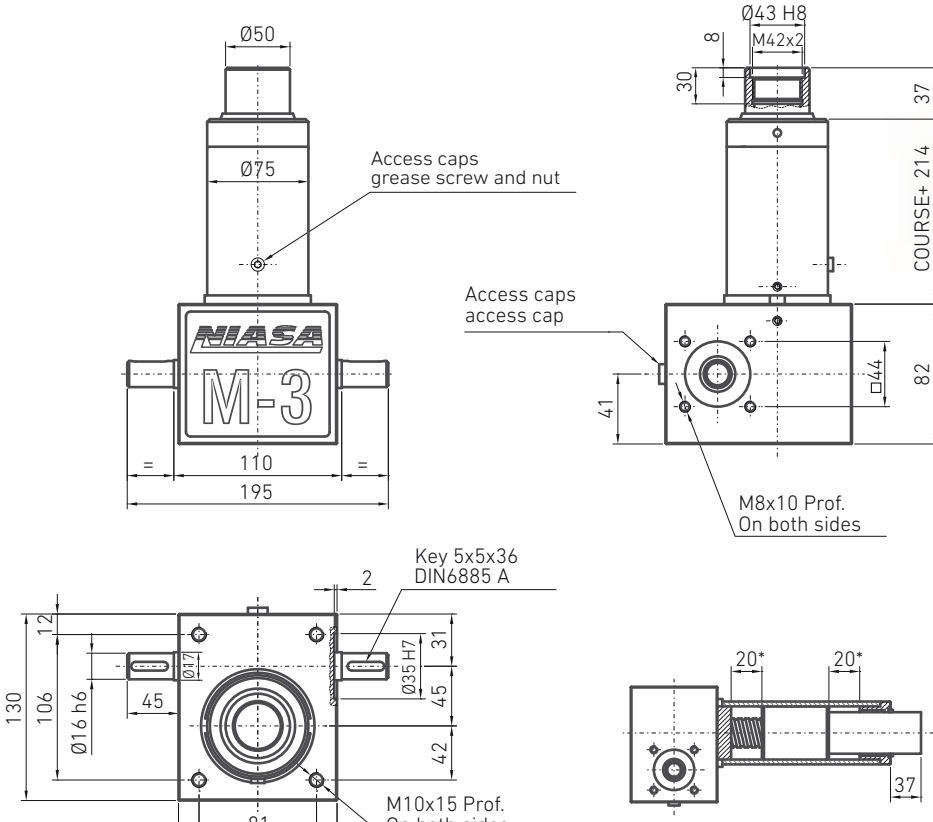
... Ensure that the application's dynamic load does not exceed the critical values indicated, in order to avoid overheating of the unit and buckling and resonance. See calculations chapter (page 130).



FM3/AM3 LINEAR ACTUATOR

UP TO

25 kN



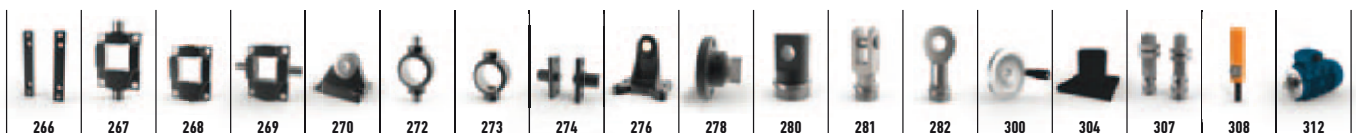
SAFETY MARGIN
 (*) If incorporating a KGM 3220 nut, Safety margin is 15 mm.

Diameter and step screw (mm)	Maximum axial strength (kN)	Reduction		Advance (mm/revol. input)		Performance (%)		Drive torque M_D (Nm)		Start-up torque, M_0 (Nm)		Weight stroke 0 (kg)	Approx. weight each 100 mm of stroke (kg)
								F (kN), load to move in dynamic					
		S	H	S	H	S	H	S	H	S	H		
Tr 36x6	25	6:1	24:1	1.00	0.25	0.28	0.22	(0.58xF)+0.57	(0.18xF)+0.31	1.04xF	0.4xF	12	2.1
KGS 3205	20	6:1	24:1	0.83	0.21	0.73	0.58	(0.18xF)+0.52	(0.06xF)+0.29	0.26xF	0.11xF	12	2.1
KGS 3210	25	6:1	24:1	1.67	0.42	0.73	0.58	(0.36xF)+0.52	(0.12xF)+0.29	0.52xF	0.21xF	12	2.1
KGS 3220	20	6:1	24:1	3.33	0.83	0.73	0.58	(0.73xF)+0.52	(0.23xF)+0.29	1.03xF	0.42xF	12	2.1
KGS 3240	10	6:1	24:1	6.67	1.67	0.73	0.58	(1.46xF)+0.52	(0.46xF)+0.29	2.07xF	0.84xF	12	2.1

... Power required: P_D (kW) = 0.157x M_D (Nm).

... All the data in the table correspond to an input speed of 1,500 rpm. For other speeds, please see the calculation chapter (page 130).

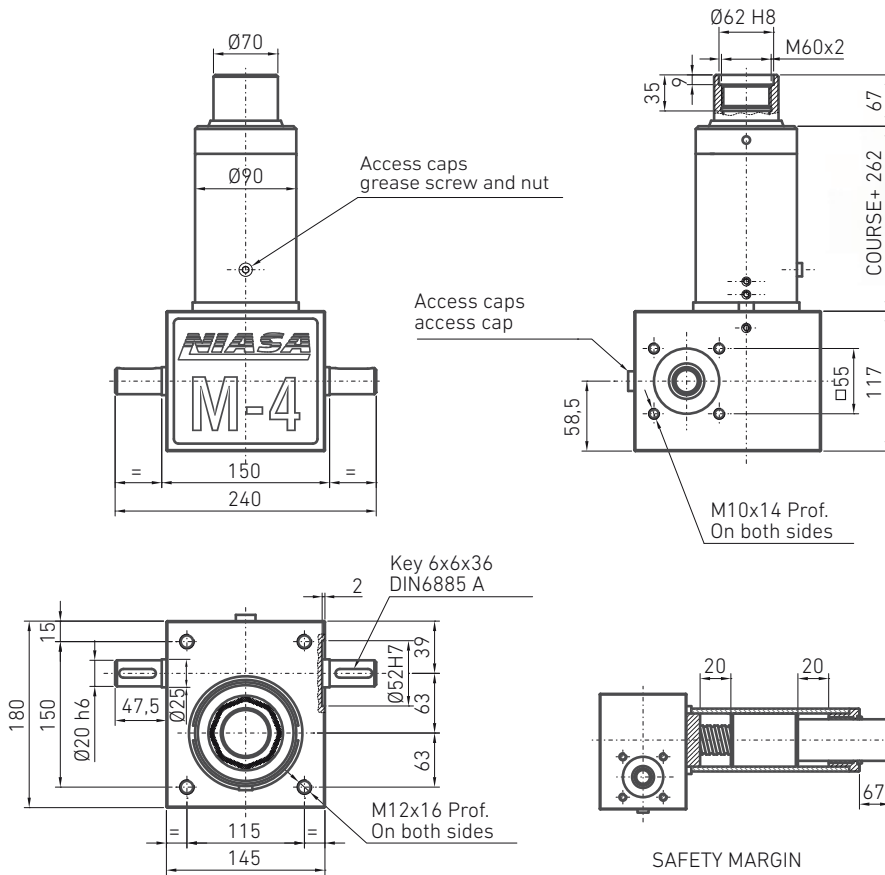
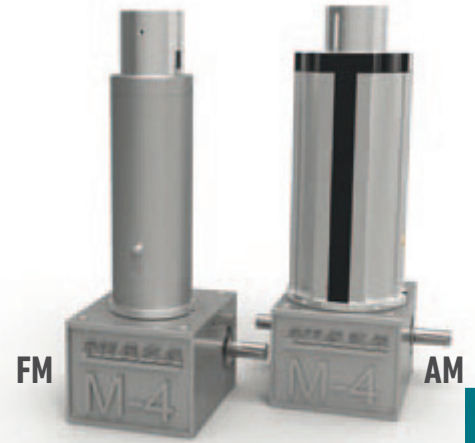
... Ensure that the application's dynamic load does not exceed the critical values indicated, in order to avoid overheating of the unit and buckling and resonance. See calculations chapter (page 130).



FM4/AM4 LINEAR ACTUATOR

UP TO

50 kN



Diameter and step screw (mm)	Maximum axial strength (kN)	Reduction		Advance (mm/revol. input)		Performance (%)		Drive torque, M_D (Nm)		Start-up torque, M_0 (Nm)		Weight stroke 0 (kg)	Approx. weight each 100 mm of stroke (kg)
		S	H	S	H	S	H	F (kN), load to move in dynamic		S	H		
								S	H				
Tr 45x7	50	7:1	28:1	1.00	0.25	0.26	0.21	(0.61xF)+0.97	(0.19xF)+0.57	1.18xF	0.44xF	27.3	3.3
KGS 4010	42	7:1	28:1	1.43	0.36	0.73	0.60	(0.31xF)+0.93	(0.09xF)+0.56	0.45xF	0.18xF	27.3	3.3
KGS 4020	37	7:1	28:1	2.86	0.71	0.73	0.60	(0.62xF)+0.93	(0.19xF)+0.56	0.9xF	0.36xF	27.3	3.3
KGS 4040	35	7:1	28:1	5.71	1.43	0.73	0.60	(1.25xF)+0.93	(0.38xF)+0.56	1.8xF	0.72xF	27.3	3.3

... Power required: P_D (kW) = 0,157x M_D (Nm).

... All the data in the table correspond to an input speed of 1,500 rpm. For other speeds, please see the calculation chapter (page 130).

... Ensure that the application's dynamic load does not exceed the critical values indicated, in order to avoid overheating of the unit and buckling and resonance. See calculations chapter (page 130).



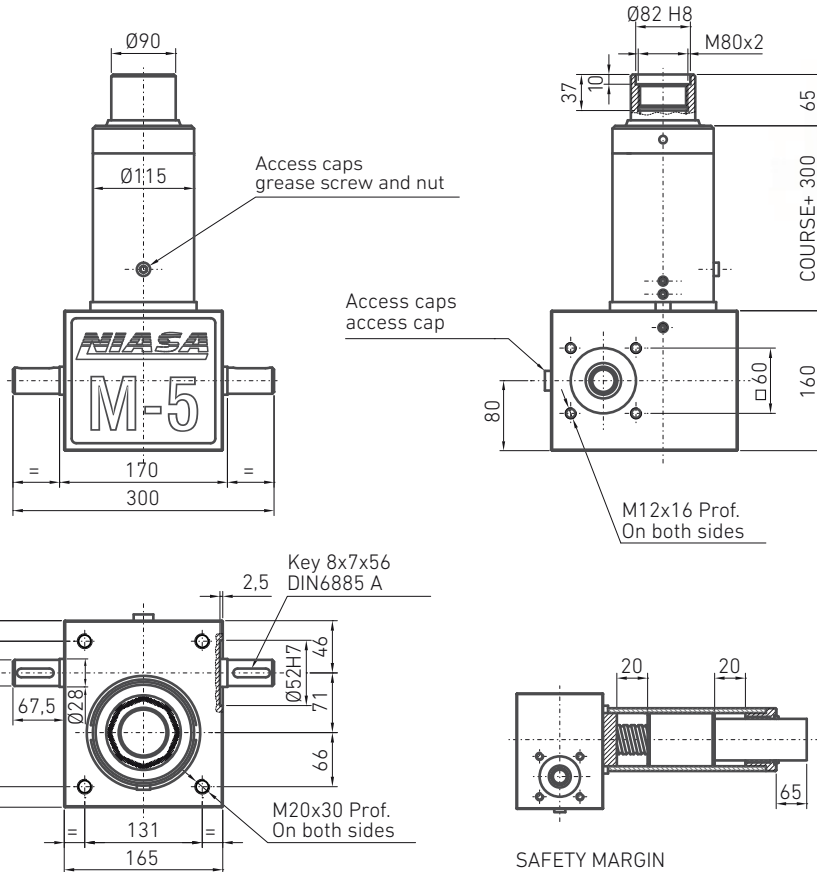
FM5 LINEAR ACTUATOR

UP TO

100 kN



The capacity indicated corresponds to the basic configuration. There is a possibility for higher capacities on request.



Diameter and step screw (mm)	Maximum axial strength (kN)	Reduction		Advance (mm/revol. input)		Performance (%)		Drive torque, M_D (Nm)		Start-up torque, M_0 (Nm)		Weight stroke 0 (kg)	Approx. weight each 100 mm of stroke (kg)
								F (kN), load to move in dynamic					
		S	H	S	H	S	H	S	H	S	H		
Tr 50x8	100	9:1	36:1	0.89	0.22	0.27	0.21	(0.53xF)+1.91	(0.17xF)+1.08	0.98xF	0.39xF	45.2	4.9
KGS 5010	65	9:1	36:1	1.11	0.28	0.73	0.58	(0.24xF)+1.87	(0.08xF)+1.07	0.36xF	0.15xF	45.2	4.9

... Power required: P_D (kW) = 0,157x M_D (Nm).

... All the data in the table correspond to an input speed of 1,500 rpm. For other speeds, please see the calculation chapter (page 130).

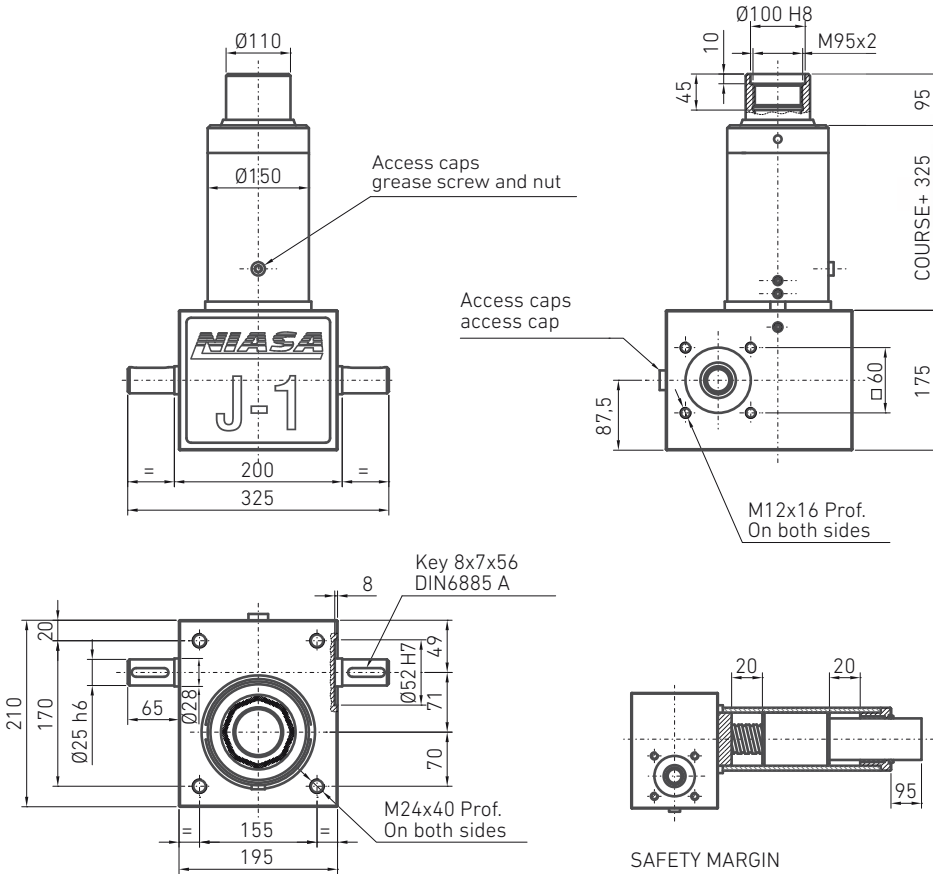
... Ensure that the application's dynamic load does not exceed the critical values indicated, in order to avoid overheating of the unit and buckling and resonance. See calculations chapter (page 130).



FJ1 LINEAR ACTUATOR

UP TO **150 kN**

The capacity indicated corresponds to the basic configuration. There is a possibility for higher capacities on request.



Diameter and step screw (mm)	Maximum axial strength (kN)	Reduction		Advance (mm/revol. input)		Performance (%)		Drive torque, M_d (Nm)		Start-up torque, M_o (Nm)		Weight stroke 0 (kg)	Approx. weight each 100 mm of stroke (kg)
								F (kN), load to move in dynamic					
		S	H	S	H	S	H	S	H	S	H		
Tr 70x10	150	9:1	36:1	1.11	0.28	0.24	0.18	(0.73xF)+2.3	(0.24xF)+1.21	1.31xF	0.49xF	84.8	9
KGS 6310	65	9:1	36:1	1.11	0.28	0.73	0.55	(0.24xF)+1.97	(0.08xF)+1.19	0.33xF	0.14xF	86.8	9

... Power required: P_D (kW) = 0,157x M_D (Nm).

... All the data in the table correspond to an input speed of 1,500 rpm. For other speeds, please see the calculation chapter (page 130).

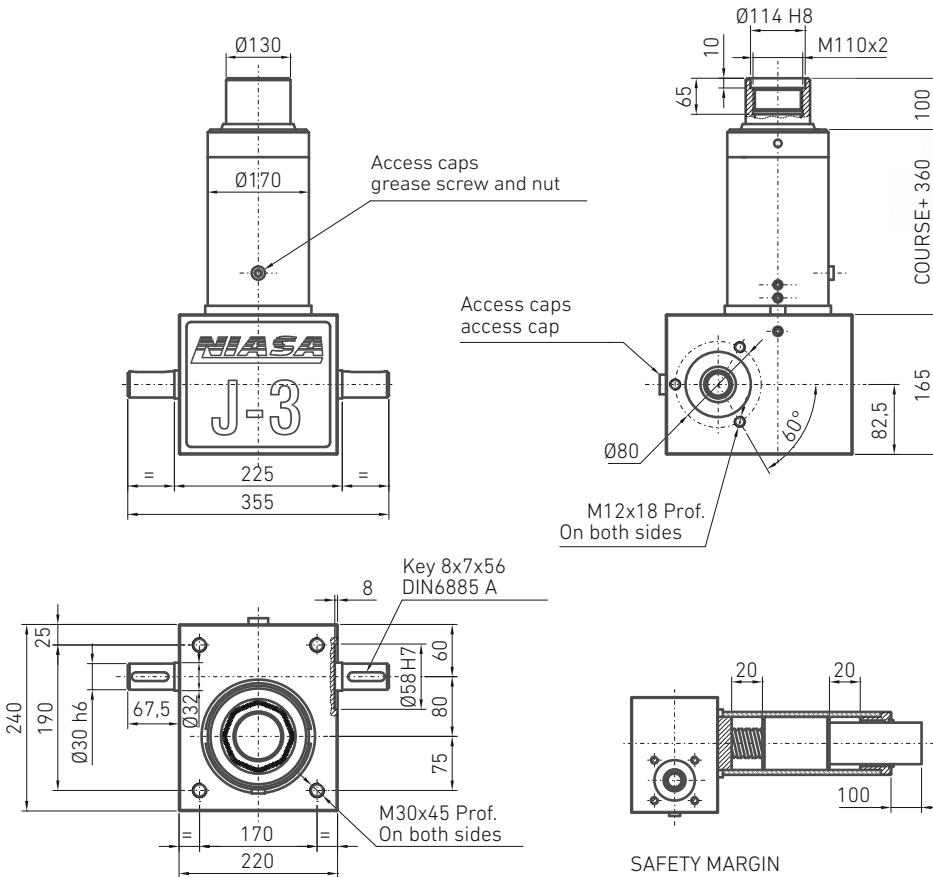
... Ensure that the application's dynamic load does not exceed the critical values indicated, in order to avoid overheating of the unit and buckling and resonance. See calculations chapter (page 130).



FJ3 LINEAR ACTUATOR

UP TO **250 kN**

Contact versions with ball screw.



Diameter and step screw (mm)	Maximum axial strength (kN)	Reduction		Advance (mm/revol. input)		Performance (%)		Drive torque, M_D (Nm)		Start-up torque, M_0 (Nm)		Weight stroke 0 (kg)	Approx. weight each 100 mm of stroke (kg)
		S	H	S	H	S	H	F (kN), load to move in dynamic		S	H		
								S	H				
Tr 80x10	250	10:1	40:1	1.00	0.25	0.22	0.19	(0.73xF)+2.81	(0.21xF)+1.95	1.18xF	0.4xF	100	14

... Power required: P_D (kW) = 0,157x M_D (Nm).

... All the data in the table correspond to an input speed of 1,500 rpm. For other speeds, please see the calculation chapter (page 130).

... Ensure that the application's dynamic load does not exceed the critical values indicated, in order to avoid overheating of the unit and buckling and resonance. See calculations chapter (page 130).



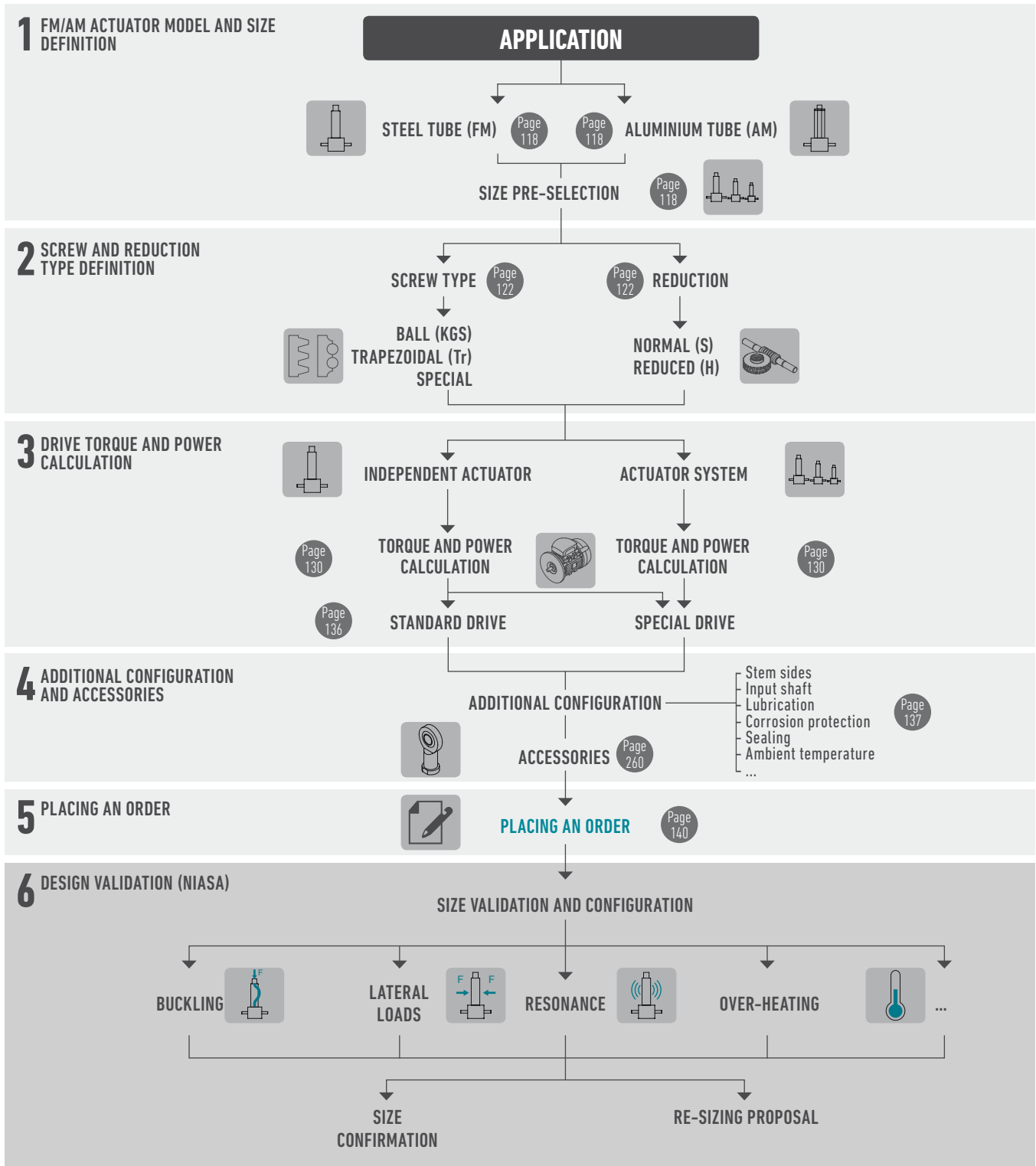
LINEAR ACTUATORS

WITH INTEGRATED REDUCTION AND CUBIC GEARBOX. FM SERIES: STEEL TUBE | AM SERIES: ALUMINIUM TUBE

PRODUCT SELECTION

To select the correct FM/AM Series linear actuator, please follow this flow diagram.

If you would like to know the expected service life of a unit for your application, please send the relevant data to the NIASA service department.



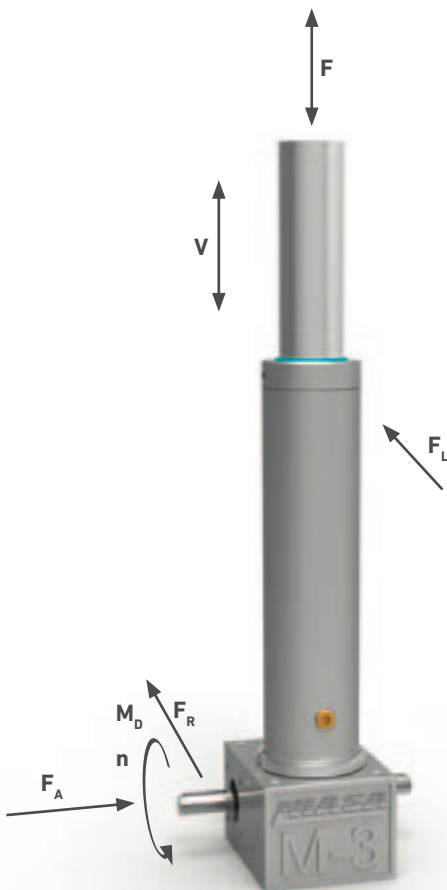
LINEAR ACTUATORS

WITH INTEGRATED REDUCTION AND CUBIC GEARBOX. FM SERIES: STEEL TUBE | AM SERIES: ALUMINUM TUBE

PRODUCT SELECTION

FORCE AND TORQUE ACTING ON AN FM /AM SERIES ACTUATOR

- F** Load to move at traction and/or compression.
- F_L** Lateral load on the stem.
- V** Stem travel speed.
- F_A** Axial load on the input shaft.
- F_R** Radial load on the input shaft.
- M_D** Torque on the input shaft.
- n** Speed on the input shaft.



TORQUE AND POWER OF A LINEAR ACTUATOR INDEPENDENT FM/AM SERIES

After pre-selecting the suitable FM/AM Series linear actuator for the application, select the drive motor following the steps below:

1. DRIVE TORQUE

$$M_D \text{ (Nm)} = \frac{F \times P}{2 \times \pi \times 0.9 \times \eta_{DG} \times \eta_{DS} \times i} + M_i$$

- M_D** Drive torque (kN)
- F** Load to move in dynamic (kN)
- P** Screw pitch (mm)
- M_i** Idle torque (Nm)
- i** Actuator reduction
- 0.9** Cylinder dynamic efficiency
- η_{DG}** Gearbox dynamic efficiency
- η_{DS}** Screw dynamic efficiency

2. POWER REQUIRED

$$P_D \text{ (kW)} = \frac{M_D \times n}{9550}$$

- M_D** Drive torque (Nm)
- n** Screw jack input speed (rpm)

IMPORTANT

- ... In general, it is advisable to multiply the power value calculated for a safety coefficient of 1.3 to 2; the smaller the installation the higher the coefficient
- ... When the load to move is lower than 10% of the elevator's nominal load, consider that value as the load to move.

3. START-UP TORQUE

For loads between 25% and 100% of the actuator's nominal value, calculate the start-up torque with this formula:

$$M_o \text{ (Nm)} = \frac{F \times P}{2 \times \pi \times 0.9 \times \eta_{SA} \times i}$$

- η_{SA}** Actuator static efficiency (gearbox + screw)

IMPORTANT

- ... For loads under 25% of the actuator's nominal value, select the start-up torque by multiplying the drive torque by 2.

η_{DC} Gearbox dynamic efficiency

S gearbox version (normal speed)

input rpm	FM1/AM1	FM2/AM2	FM3/AM3	FM4/AM4	FM5	FJ1	FJ3
3,000	0.91	0.90	0.92	Non-standard			
1,500	0.88	0.89	0.90	0.90	0.90	0.90	0.90
1000	0.87	0.88	0.88	0.88	0.87	0.89	0.89
750	0.85	0.87	0.87	0.87	0.86	0.88	0.89
500	0.84	0.85	0.85	0.85	0.84	0.87	0.88
100	0.79	0.79	0.79	0.79	0.78	0.81	0.84

H gearbox version (slow speed)

input rpm	FM1/AM1	FM2/AM2	FM3/AM3	FM4/AM4	FM5	FJ1	FJ3
3,000	0.75	0.77	0.76	Non-standard			
1,500	0.69	0.71	0.71	0.74	0.72	0.68	0.77
1000	0.67	0.69	0.68	0.69	0.67	0.67	0.76
750	0.64	0.66	0.67	0.68	0.65	0.65	0.75
500	0.61	0.64	0.63	0.64	0.62	0.64	0.74
100	0.54	0.56	0.54	0.55	0.53	0.55	0.66

 η_{DS} Screw dynamic efficiency

Trapezoidal screw (Tr)

16x4	24x5	36x6	45x7	50x8	70x10	80x10
0.44	0.39	0.34	0.32	0.33	0.30	0.27

Ball screw (KGS)

0.9 (for all sizes)

 M_i Idle Torque

S gearbox version (normal speed)

	FM1/AM1	FM2/AM2	FM3/AM3	FM4/AM4	FM5	FJ1	FJ3
Trapezoidal	0.17	0.35	0.57	0.97	1.91	2.03	2.81
Balls	0.14	0.33	0.52	0.93	1.87	1.97	2.75

H gearbox version (slow speed)

	FM1/AM1	FM2/AM2	FM3/AM3	FM4/AM4	FM5	FJ1	FJ3
Trapezoidal	0.08	0.17	0.31	0.57	1.08	1.21	1.95
Balls	0.08	0.17	0.29	0.56	1.07	1.19	1.94

 η_{SA} Actuator static efficiency

S gearbox version (normal speed)

	FM1/AM1	FM2/AM2	FM3/AM3	FM4/AM4	FM5	FJ1	FJ3
Trapezoidal	0.22	0.20	0.17	0.15	0.16	0.15	0.15
Balls	0.57	0.57	0.57	0.56	0.55	0.59	0.64

H gearbox version (slow speed)

	FM1/AM1	FM2/AM2	FM3/AM3	FM4/AM4	FM5	FJ1	FJ3
Trapezoidal	0.13	0.13	0.11	0.10	0.10	0.10	0.11
Balls	0.35	0.37	0.35	0.35	0.32	0.36	0.45

IMPORTANT

... The values indicated in the tables correspond to the lubrication conditions established by NIASA, for gearbox and screw, and will be reached after a small period of operation.

... In the case of low temperatures, these can be reduced considerably.

LINEAR ACTUATORS

WITH INTEGRATED REDUCTION AND CUBIC GEARBOX. FM SERIES: STEEL TUBE | AM SERIES: ALUMINUM TUBE

PRODUCT SELECTION

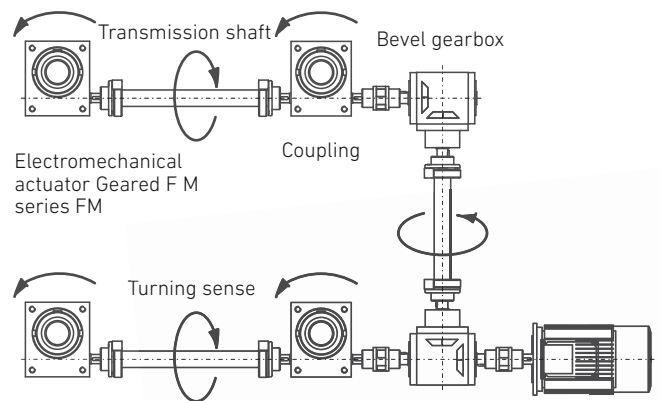
DESIGNING INSTALLATIONS WITH FM/AM SERIES LINEAR ACTUATORS

For the application of FM/AM Series linear actuators in installations with several units, the following criteria must be taken into account:

1. Define the number, position and orientation of the equipment.
2. Select the drag components (couplings, transmission shafts, supports, bevel gearboxes, motors, etc.) taking the following recommendations into account:
 - ... Ensure that the total load is distributed uniformly between all the installation's actuators.
 - ... The lowest possible number of transmission parts is recommended.
 - ... The transmission shafts should be as short as possible.
 - ... Try to protect the overall installation with a safety torque limiter.
3. If a problem arises during the design of the installation in defining the turning sense of the different elements, it is advisable to apply the following method:
 - ... Indicate the orientation of the actuator elements.
 - ... Mark the screw turning sense on each actuator to "lift".
 - ... Show the position of the bevel gearboxes and the transmission shafts in a diagram.

Example:

Elevation system with four FM linear actuators and two bevel gearboxes.





DISTRIBUIDOR
AUTORIZADO

MEX (55) 53 63 23 31
QRO (442) 1 95 72 60

MTY (81) 83 54 10 18
ventas@industrialmagza.com



LINEAR ACTUATORS

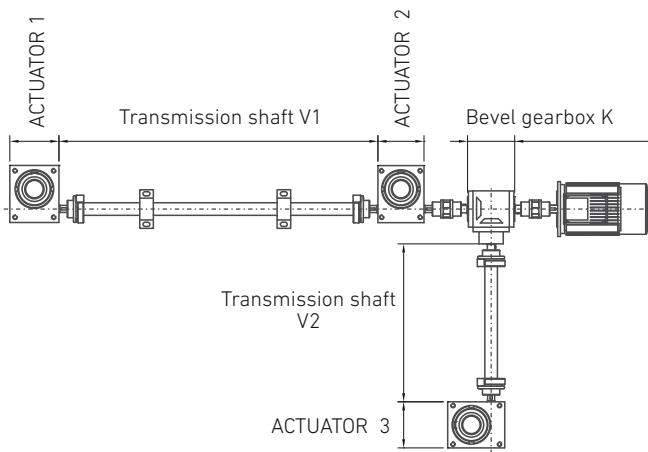
WITH INTEGRATED REDUCTION AND CUBIC GEARBOX. FM SERIES: STEEL TUBE | AM SERIES: ALUMINUM TUBE

PRODUCT SELECTION

DRIVE TORQUE OF AN FM/AM SERIES LINEAR ACTUATOR SYSTEM

The drive torque of a system made up of several FM/AM Series linear actuators connected to each other depends on the torque required for the individual drive of each one and the efficiency of the transmission parts that connect them.

Example:



To help the calculation, some frequent arrangements are shown for those for which the system's drive torque can be calculated approximately using the following formula.

It is assumed that the load distribution is uniform between all the units and that they are all the same size.

$$M_{DS} \text{ (Nm)} = M_D + f_s$$

M_D Independent elevator drive torque

f_s Factor, according to system (see figures next page)

2. SYSTEM START-UP TORQUE

For loads by screw jack between 25% and 100% of the screw jack's nominal value, calculate the start-up torque with this formula:

$$M_{DS} \text{ (Nm)} = \frac{M_{DS}}{\eta_{sJ}}$$

M_{DS} System drive torque (Nm)

η_{sJ} Elevator static efficiency

1. SYSTEM DRIVE TORQUE

$$M_{DS} \text{ (Nm)} = \frac{M_{D1}}{\eta_{V1}} + M_{D2} + \left(\frac{M_{D3}}{\eta_{V2}} \times \frac{1}{\eta_k} \right)$$

$M_{D1}/M_{D2}/M_{D3}$ Actuator drive torque 1 / 2 / 3 (Nm)

η_{V1}/η_{V2} Gearbox efficiency V1/V2 (0.90-0.95 approx.)

η_k Bevel gearbox efficiency (0.90 approx.)

IMPORTANT

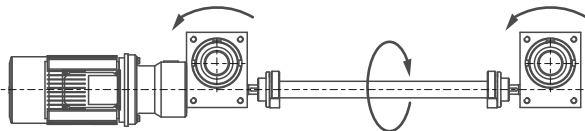
... In general, it is advisable to multiply the value calculated for a safety coefficient of 1.3 to 1.5; or for small installations, a factor of 2.

... When the load to move is lower than 10% of the elevator's nominal load, consider that value for the previous calculations.

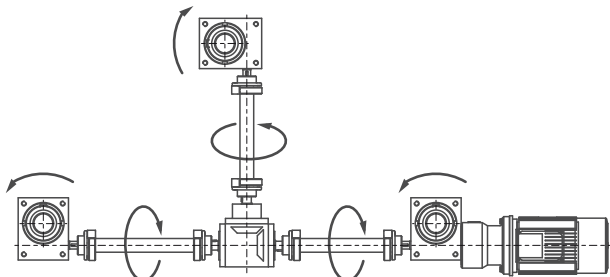
IMPORTANT

... For loads by elevator lower than 25% of its nominal value, multiply the system drive torque by 2.

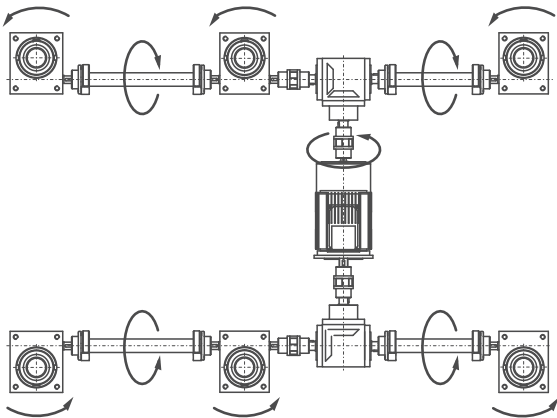
$f_s = 2.1$



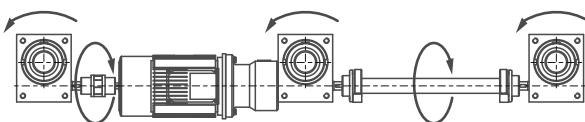
$f_s = 3.34$



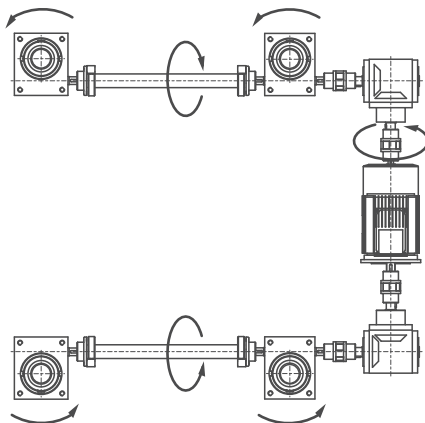
$f_s = 6.8$



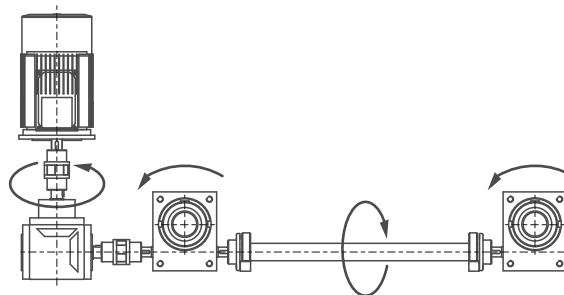
$f_s = 3.1$



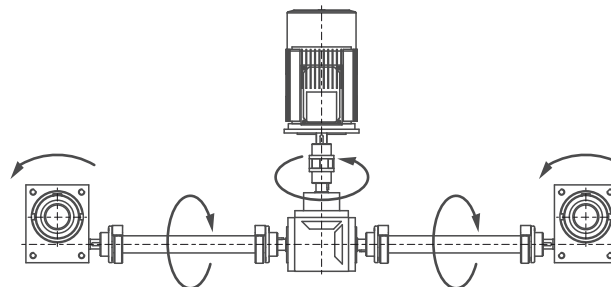
$f_s = 4.4$



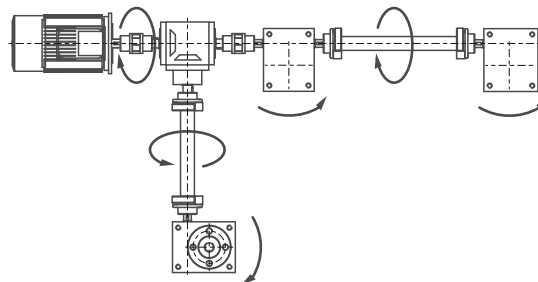
$f_s = 2.25$



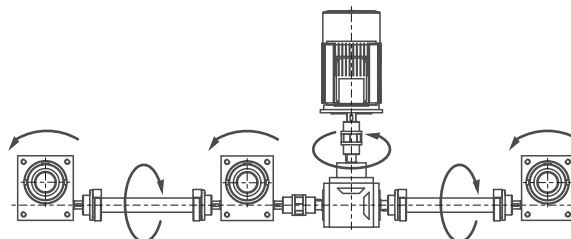
$f_s = 2.25$



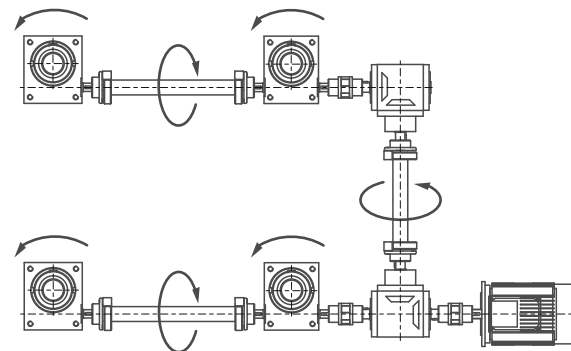
$f_s = 3.27$



$f_s = 3.35$



$f_s = 4.6$



LINEAR ACTUATORS

WITH INTEGRATED REDUCTION AND CUBIC GEARBOX. FM SERIES: STEEL TUBE | AM SERIES: ALUMINUM TUBE

PRODUCT SELECTION

STANDARD DRIVE

The standard drive of the FM/AM Series linear actuators is made using Ac motors.

The following table shows the powers available for each actuator size and the type of flange on the motor, in addition to the length of its fastening flange to the gearbox.

For another size or different type of drive, please contact NIASA. NIASA can supply alternating or stepper motors with sensors of any type, etc.

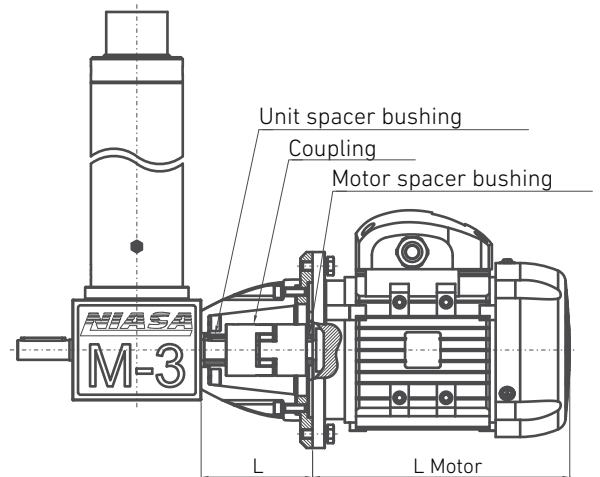


	Motor flange	MOTOR GROUP																			
		56		63		71		80		90		100		112		132		160		180	
		POWER (kW)																			
		A	B	A	B	A	B	A	B	A	B	A	B	A	A	B	A	B	A	B	
0.06	0.09	0.12	0.18	0.25	0.37	0.55	0.75	1.1	1.5	2.2	3	4	5.5	7.5	11	15	18.5	22			
FM1 / AM1	L	57	60	67																	
	Motor flange	B14		B14		B14															
FM2 / AM2	L	63		70		83															
	Motor flange	B14		B14		B14															
FM3 / AM3	L	91		101		113		123													
	Motor flange	B5		B14		B14		B14													
FM4 / AM4	L	91		101		113		123													
	Motor flange	B5		B5		B14		B14													
FM5	L	125		135		145		167		201											
	Motor flange	B5		B5		B14		B14		B14											
FJ1	L	145		165		199															
	Motor flange	B14		B14		B14															
FJ3	L	135		145		167		201		203											
	Motor flange	B5		B5		B5		B5		B5											

For asynchronous motor specifications, see the motorization chapter (page 312).

If using ball screws (or trapezoidal screws with more than one input), together with the normal speed gearboxes (S) the FM/AM linear actuator may be reversible. Contact the NIASA technical department for the most suitable brake selection for your application.

In general, it is always advisable that the motors incorporate a brake, standard brakes are sufficient for each motor size in most cases. This will ensure the screw does not lose position when it stops or if there are vibrations, etc.



LINEAR ACTUATORS

WITH INTEGRATED REDUCTION AND CUBIC GEARBOX. FM SERIES: STEEL TUBE | AM SERIES: ALUMINUM TUBE

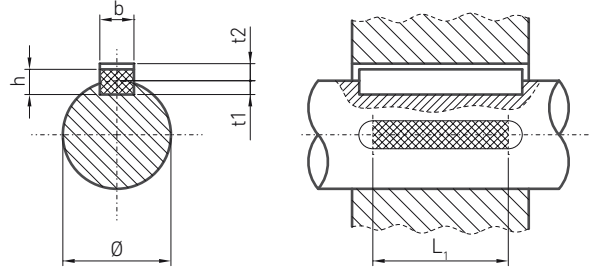
PRODUCT SELECTION

MAXIMUM TRANSFERABLE TORQUE ACCORDING TO SHAFT/ PARALLEL COTTER PIN (DIN 6885)

The following table shows the maximum transferrable torque for a shaft and its keys. It is considered that the shaft is subject exclusively to torsional forces.

IMPORTANT

... Never subject the input of an FM Series actuator to torque over that indicated for its shaft and keys (see plans in the sub-chapter "sizes", page 118).



Shaft diameter Ø (mm)	Key dimensions			Maximum transferrable torque, M ₀ (Nm) / Effective key length, L ₁ (mm)						
	b x h (mm)	t1 (mm)	t2 (mm)	10	16	20	28	40	50	70
8 – 10	3 x 3	1.8	1.4	5	9	12	-	-	-	-
10 – 12	4 x 4	2.5	1.8	9	13	17	-	-	-	-
12 – 17	5 x 5	3	2.3	15	24	30	42	-	-	-
17 – 22	6 x 6	3.5	2.8	25	40	50	70	100	-	-
22 – 30	8 x 7	4	3.3	39	63	78	109	157	195	-
30 – 38	10 x 8	5	3.3	50	82	102	143	204	255	357

Material: C45 (1.1191) according to EN 10083-1
 Load type: Drive - Uniform / Load - Slight knocks
 Assembly: tight
 Cycles: >1,000,000
 Safety factor: 1.5 - 2.5
 IMPORTANT For other conditions, please contact the NIASA technical department.

LUBRICATION

NIASA FM/AM Series linear actuators are supplied lubricated with DIVINOL LITHOGREASE G421 type grease. This is a semi-synthetic grease with a lithium compound with the following specifications.

Specifications

G421 DIVINOL LITHOGREASE	
Working temperature	-35 to +160°C
Density at 15°C	0.9 kg/dm ³
Cinematic viscosity (s/DIN 51 562)	130 mm ² /s at 40°C 15 mm ² /s at 100°C
Dropping point (s/DIN ISO 2176)	>220°C
Water resistance (s/DIN 51 807/T1)	Level 1

For further information, please contact the NIASA technical department.

NIASA supplies its FM/AM Series actuators with a brass lubrication cap with O-ring, on the gearbox and on the tube, to ensure it is sealed.

A change of grease type may affect the correct operation of the actuator.

There is a possibility of supplying FM/AM Series actuators with an angled grease nipple

at 45° DIN 71412 type B for the gearbox, and a straight grease nipple DIN 71412 type A for the tube.

A complete cleaning and change of grease is recommended after five years.

The greasing interval depends on the type of work and its cycle. It is advisable to lubricate from 30 to 50 hours after start-up and approximately every six months. It is important to avoid over-lubricating.

A group lubricator is recommended for automatic lubrication of the units. Depending on the type of group lubricator, the lubrication may last up to two years. See lubrication chapter in accessories.



LINEAR ACTUATORS

WITH INTEGRATED REDUCTION AND CUBIC GEARBOX. FM SERIES: STEEL TUBE | AM SERIES: ALUMINUM TUBE

PRODUCT SELECTION

PROTECTION AGAINST CORROSION, SEALING AND AMBIENT TEMPERATURE

PROTECTION AGAINST CORROSION

Select the environment in which the equipment will work, using the atmospheric corrosion categories classification established in the DIN EN ISO 12944-2 standard (protection against the corrosion of steel structures using painted systems). Also establish the durability required before carrying out the first maintenance of the exterior surfaces (durability does not imply a "time" guarantee).

If the corrosion category is higher than "C3" for your application and/or higher than "average" durability is required, please contact NIASA so that the technical department can select the surface protection system and select the most suitable components.

CORROSION CATEGORY		ENVIRONMENT	
		Outdoors	Indoors
C1	Very low		Buildings with heating and clean atmospheres.
C2	Low	Atmospheres with low levels of pollution. Rural areas.	Buildings with no heating and possible condensation.
C3	Medium	Urban and industrial atmospheres, with moderate SO ₂ pollution. Coastal areas with low salinity.	Manufacturing plants with high humidity and some pollution.
C4	High	Industrial areas and coastal areas with moderate salinity.	Chemical and swimming pool industries.
C5-I	Very high (industrial)	Industrial areas with high humidity and aggressive atmosphere.	Buildings or areas with almost permanent condensation and high contamination.
C5-M	Very high (maritime)	Coastal and maritime areas with high salinity.	Buildings or areas with permanent condensation and high contamination.

DURABILITY		
LOW	L	2 to 5 years
MEDIUM	M	5 to 15 years
HIGH	H	More than 15 years

PROTECTION AGAINST THE INPUT OF SOLIDS AND LIQUIDS

NIASA actuators offer, as standard, an IP65 protection index to prevent solid and liquid particles from entering the inside, which may damage them or reduce their designed service life.

Use the following table, according to the DIN EN IEC 60529 standard, if the level of protection must be higher than that indicated. NIASA supplies, on request, specially designed units to withstand the most aggressive environments.

The protection levels are defined with a code made up of the letters "IP" and two numbers "XY".

LEVEL OF PROTECTION "IP", AGAINST THE INPUT OF ...			
... solid particles: "X"		... liquids: "Y"	

5	Protection against dust residues (the dust that may penetrate the inside does not imply incorrect operation of the equipment).	3	Protection against spray water (from angle up to 60° with vertical).
6	Total protection against the penetration of any kind of solid body (sealing).	4	Protection against water splashes (from any direction).
		5	Protection against water streams from any direction with hose.
		6	Protection against sporadic floods (example: tidal wave).
	

AMBIENT TEMPERATURE

Contact NIASA if your unit will be installed in an environment that may reach temperatures below -20°C and/or above +40°C.

NIASA's technical department will prescribe the most suitable materials and sealing components for the specific conditions of the application.

LINEAR ACTUATORS

WITH INTEGRATED REDUCTION AND CUBIC GEARBOX. FM SERIES: STEEL TUBE | AM SERIES: ALUMINUM TUBE

PRODUCT SELECTION

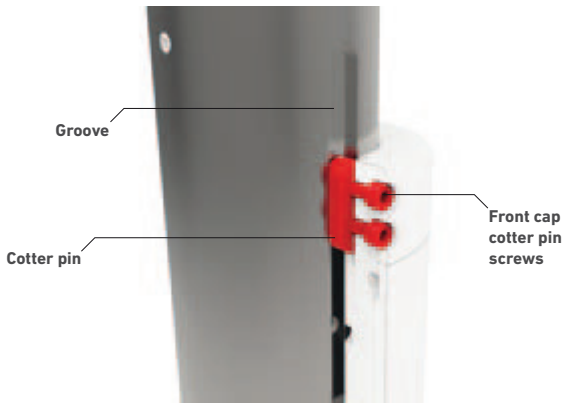
OPTIONAL CONFIGURATIONS

Optionally, NIASA may adapt your FM/AM linear actuator, modifying the different parts of it to your preferences.

Some examples are shown below.
See sub-chapter "Placing an order".

Immobilizations

The FM Series electro-mechanical actuators, on request, can be supplied with the immobilized stem in rotation. This is achieved by mounting a key on the upper cap and machining a groove along the stem.



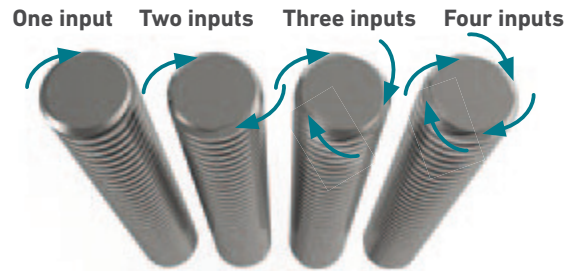
With this configuration, the scraper for the stem cannot be mounted on the front cap. To avoid the possible input of particles or liquid through the stem, it is recommended to mount a bellow to protect it.

For further information, please contact the NIASA technical department.



Special configurations

At the customer's request, the FM/AM Series linear actuators can be supplied with a screw of several inputs so that higher speeds can be obtained.



Worm gear

At the customer's request, the FM/AM linear actuators can be supplied with one of the sides of the worm shaft cut.



LINEAR ACTUATORS

WITH INTEGRATED REDUCTION AND CUBIC GEARBOX. FM SERIES: STEEL TUBE | AM SERIES: ALUMINUM TUBE

PLACING AN ORDER

01	<p>SIZE FM1/AM1 FM2/AM2 FM3/AM3 FM4/AM4 FM5 FJ1 FJ3</p>	08	<p>BOX FASTENING ACCESSORY Always on the back of the box HFM Gearbox fastening rod LCM Gearbox mounting feet ZKM ZK gearbox fastening with bolts ZKH ZK gearbox fastening with bearings ZKV ZK gearbox fastening with 90° bolts FMS Special gearbox fastening 000 No accessory</p>
02	<p>GEARBOX S Normal speed H Slow speed</p>	09	<p>EXTERIOR TUBE FASTENING ACCESSORY Exterior tube configuration F BB Trunnion mount with studs BH Trunnion mount with ball bearings</p> <p>Exterior tube configuration A BA Trunnion mount with studs</p> <p>All models FS Special fastening 00 No accessory</p>
03	<p>EQUIPMENT GENERAL PROTECTION IPS Standard IP protection level IPX Special IP protection level</p>	10	<p>tilt ACCESSORY SB With tilt support 00 No tilt support</p>
04	<p>SCREW TYPE (DIAMETER x PITCH) TRS Steel trapezoidal screw KGS Ball screw</p>	11	<p>LIMIT SWITCH ACCESSORY Exterior tube configuration F FCI Inductive limit switches FCR Inductive limit switches with regulation</p> <p>Exterior tube configuration A FCG Magnetic limit switches</p> <p>All models 000 No limit switches</p>
05	<p>STROKE 0000 Equipment usable stroke in mm</p>		
06	<p>IMMOBILISATION IN ROTATION 00 No immobilization 01 Immobilized</p>		
07	<p>STEM FASTENING ACCESSORY BPS Screw flange GKS Single rod GKB Double rod GIR Ball joint FES Special end fastening 000 No accessory</p>		

Example	01	02	03	04	05	06	07	08	09	10	11
	FM3	H	IPS	TRS3606	1000	00	BPS	HFM	00	00	FCI



<p>12 STEM PROTECTION ACCESSORY Exterior tube configuration F FB Bellow type protector 00 No protector</p> <p>13 DRIVE ADAPTATION MK Standard flange MS Special drive union VE Wheel 00 No adaptation</p> <p>14 DRIVE POSITION ON GEARBOX A Worm shaft side A B Worm shaft side B</p> <p>15 STANDARD MOTOR MK drive adaptation 080 Group size A Power-1 / B Power-2</p> <p>MS drive adaptation 1111 Non-standard drive</p> <p>Both adaptations 0000 Without drive</p> <p>16 WORM SHAFT END A Side A end suppressed B Side B end suppressed 0 Both sides maintained</p> <p>17 WORM SHAFT PROTECTION ACCESSORY PR With protector 00 No protector</p>	<p>18 LUBRICANT GRA Standard lubricant GRX Lubricant for low extreme temperatures GRS Other lubricant</p> <p>19 LUBRICATION ACCESSORIES ETP Sealed lubrication cap (standard) EMT Angled lubricator on gearbox or straight on tube AGR Automatic lubricating accessory 000 No lubricating accessory</p> <p>20 EQUIPMENT GENERAL COLOUR With type A configuration, only the gearbox is painted RGG Graphite grey RAL7024 (standard) RAZ Blue RAL5017 RGP Silver grey RAL9006 RSP Special colour indicated by the customer CIP Only grey 411 priming 000 Not painted</p>
--	--

12	13	14	15	16	17	18	19	20
FB	MK	A	GR080A	B	00	GRA	AGR	RGG

LINEAR ACTUATORS

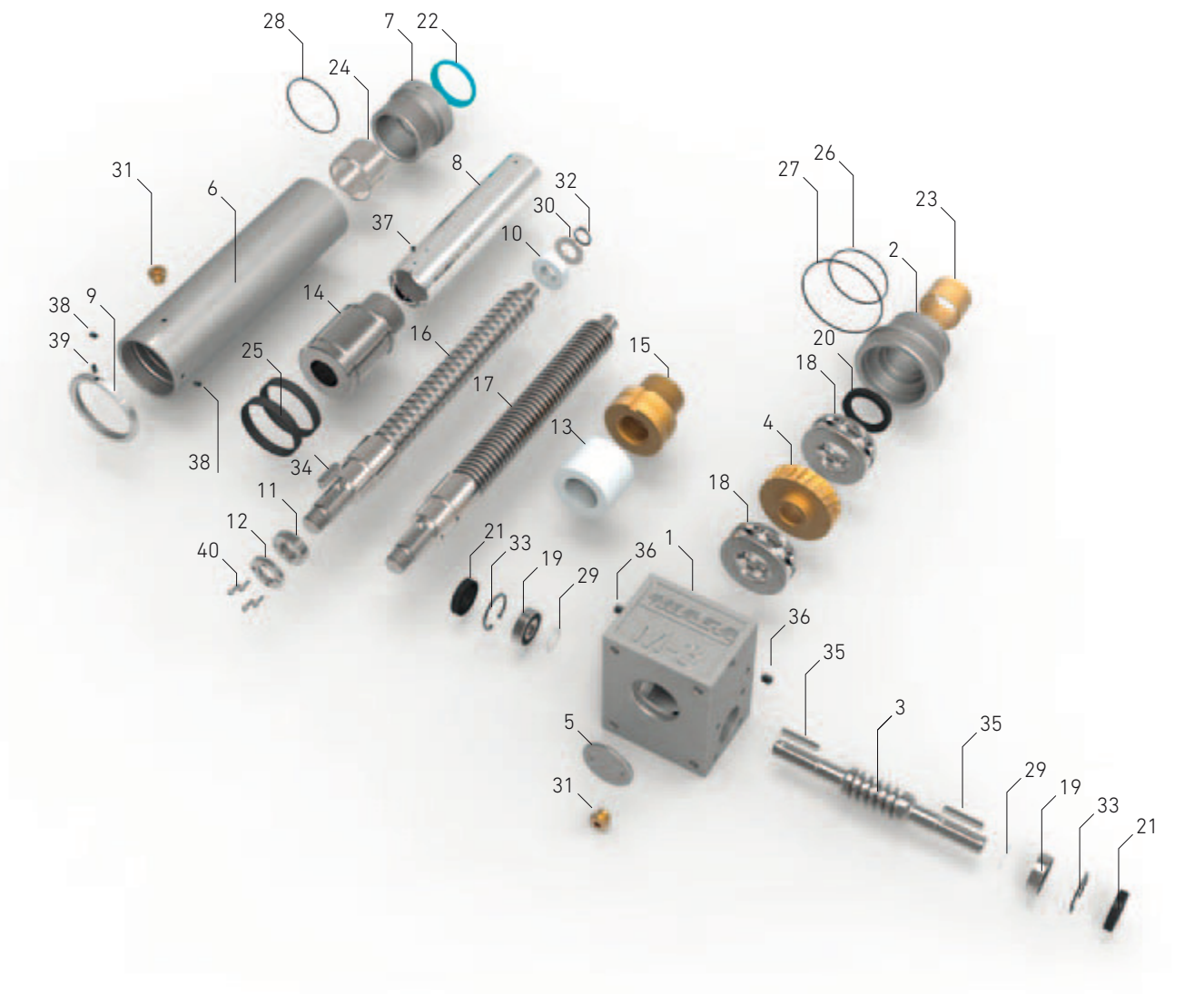
WITH INTEGRATED REDUCTION AND CUBIC GEARBOX. FM SERIES: STEEL TUBE | AM SERIES: ALUMINUM TUBE

DISASSEMBLY

Name
01 M series box
02 Top cap
03 Worm gear
04 Worm wheel
05 Lower cap
06 Exterior tube
07 Front cap
08 Stem
09 Tube position nut
10 Front support
11 Lock nut
12 Lock nut
13 Supplement bushing
14 Ball nut

15 Trapezoidal nut
16 Ball screw
17 Trapezoidal screw
18 Axial bearing
19 Radial bearing
20 Seal
21 Seal
22 Scraper
23 Bearing
24 Bearing
25 Guide ring
26 O-Ring
27 O-Ring
28 O-Ring

29 Adjustment washer
30 Flat washer
31 Brass lubrication cap
32 Exterior Circlip
33 Inside circlip
34 Straight key
35 Straight key
36 Stud with point
37 Flat stud
38 Stud with point
39 Flat stud
40 Allen screw



LINEAR ACTUATORS

WITH INTEGRATED REDUCTION AND CUBIC GEARBOX. FM SERIES: STEEL TUBE | AM SERIES: ALUMINUM TUBE

SPECIAL CONFIGURATIONS

